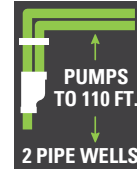


1/2 HP, 3/4 HP, 1 HP CAST IRON

Convertible Jet Pumps



MODELS JHU05, JHU07, JHU10



FEATURES AND BENEFITS

- 115/230 dual voltage motor.
- Sturdy, cast iron construction.
- Includes pressure switch and flow control.
- Thermal overload protects against overheating.
- Special priming port for easy priming.
- Carbon/ceramic mechanical shaft seal.
- Continuous duty uni-frame 56 frame motor (NEMA J adaptable).
- Capacitor start motors provide maximum starting torque.
- Easy access drain plug for winterizing.
- Ejector sold separately (see Performance Chart)



JHU05	054757000844	1-1/4" inlet, 3/4" discharge
JHU07	054757002145	1-1/4" inlet, 3/4" discharge
JHU10	054757002152	1-1/4" inlet, 1" discharge

1/2 HP, 3/4 HP, 1 HP CAST IRON



Convertible Jet Pumps

PERFORMANCE

PUMP MODEL NUMBER	AMPS	EJECTOR MODEL NUMBER	DISCH PSI	CAPACITIES IN GPM FROM PUMP TO PUMPING WATER LEVEL IN FEET												DW MINIMUM OPERATING PSI			
				SHALLOW WELL EJECTOR ATTACHED TO PUMP			DEEP WELL EJECTOR IN 4" ID WELL OR LARGER												
				5	15	25	20	30	40	50	60	70	80	90	100		110		
JHU05 1/2 HP	8.6/4.3	SW03E-1626	20	11.3	8.7	5.3												---	
			40	9.5	7.8	5.2													---
		DW40E-1828	20	10.7	7.6	4.3	10.6	9.0	7.6										24
			40	8.9	7.1	4.0	3.9	3.0	1.7										24
		DW40E-1726	20	8.9	6.2	3.5	10.3	8.9	7.6	6.2									24
			40	8.4	6.1	3.4	4.5	3.5	2.4	1.1									24
		DW40E-1622	20	6.5	5.7	4.2		6.0	5.2	4.5	3.7								24
			40	6.0	5.2	3.8		3.3	2.5	2.0	1.3								24
JHU07 3/4 HP	13/6.5	SW05E-1630	20	14.5	10.7	6.4												---	
			40	12.5	9.8	6.4												---	
		DW40E-1828	20	10.7	7.3	4.4	12.3	11.8	9.1	7.5									24
			40	10.8	7.9	4.6	8.0	6.2	5.1	3.4									24
		DW40E-1726	20	8.4	6.2	3.5	11.5	10.4	8.9	8.0	6.2								34
			40	8.5	6.4	3.7	7.9	6.7	5.2	4.0	2.8								34
		DW40E-1622	20						6.7	6.0	5.3	4.3	3.3	2.5					34 - 42
			40						4.3	3.8	3.3	2.5	1.7	1.0					34 - 42
JHU10 1 HP	14/7	SW07E-1432	20	19.5	15.2	9.5												---	
			40	18.0	14.2	8.8												---	
		DW40E-1828	20	10.7	7.8	4.2	16.1	14.6	11.1	11.0	8.9	7.4							38 - 45
			40	10.4	7.5	3.9	12.4	10.6	7.9	7.3	5.7	4.6							38 - 45
		DW40E-1726	20	8.6	6.3	3.5	11.3	11.3	11.0	10.5	9.0	7.5	4.8	4.0					37 - 43
			40	8.1	6.0	3.2	11.0	10.8	9.3	7.7	6.4	4.8	3.0	2.1					37 - 43
		DW40E-1520	20										5.0	4.8	4.3	3.7			39 - 45
			40										3.7	3.3	3.0	2.7			39 - 45

NOTE: See installation instructions for setting flow control for maximum pressures.

TYPICAL EJECTOR APPLICATIONS



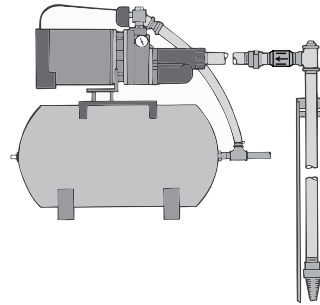
Shallow Well "SW" Ejector

For shallow well installations only. (Water levels 25 feet or less)
Includes: Ejector, gasket and bolts for easy installation.

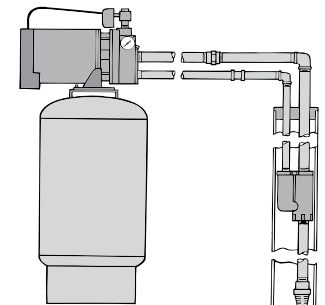


2-Way Convertible "DW" Ejector

For shallow or deep well installations. Includes: Ejector, gasket, and bolts for shallow well or deep well applications. (Requires 4" well casing for deep well installations).



Shallow well installation with "SW" shallow well ejector.



4" minimum diameter well. Deep well installation with convertible "DW" ejector.