



StarWaterSystems.com

This mechanically-activated, wide-angle pump switch provides automatic control of pumps in water and sewage applications.

**NOTE:** All hose clamp components are made of 18-8 stainless steel material.

**WARNING**



**ELECTRICAL SHOCK HAZARD.**

Disconnect power before installing or servicing this product. A qualified service person must install and service this product according to applicable electrical and plumbing codes.



**EXPLOSION OR FIRE HAZARD.**

Do not use this product with flammable liquids. Do not install in hazardous locations as defined by National Code, ANSINFPFA 70.

Failure to follow these precautions could result in serious injury or death. Replace product immediately if switch cable becomes damaged or severed. Keep these instructions after installation. This product must be installed in accordance with national Electric Code, ANSI/NFPA 70 in order to prevent moisture from entering or accumulating within boxes, conduit bodies, fittings, float housing or cable.

**1. MOUNTING THE SWITCH**

- Determine the required cord tether length according to Chart 1 below.
- Place the cord into the clamp.
- Locate clamp at desired activation level and secure the clamp to the discharge pipe.
- NOTE:** Do not install cord under hose clamp.
- Tighten the hose clamp using screwdriver. Over-tightening may result in damage to the clamp. Make sure the float cable is not allowed to touch the excess hose clamp band during operation.

**2. PIGGY-BACK PLUG INSTALL**

**CAUTION:** Electrical outlet must not be located in pump chamber.

**CAUTION:** Electrical outlet voltage, piggy-back plug voltage and pump voltage all must match.

- Insert the switch piggy-back plug into outlet.
- Plug pump into piggy-back plug as shown.
- Check installation. Allow system to cycle to ensure proper operation.

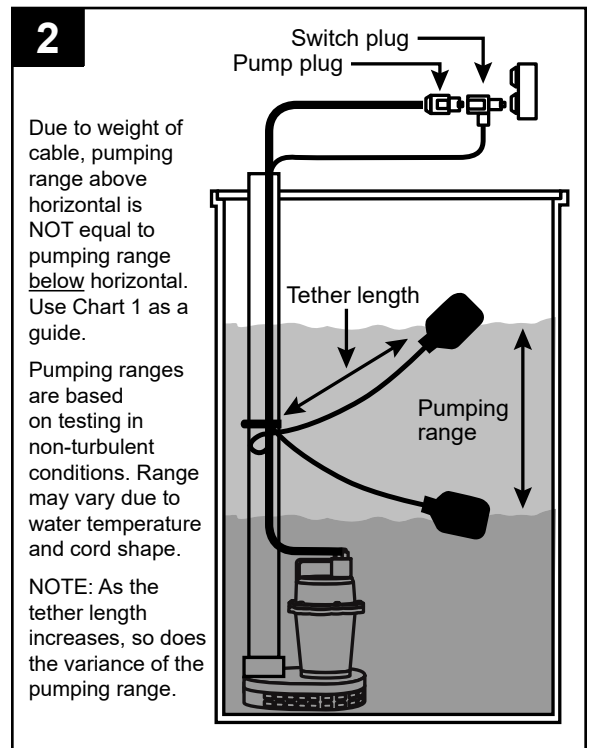
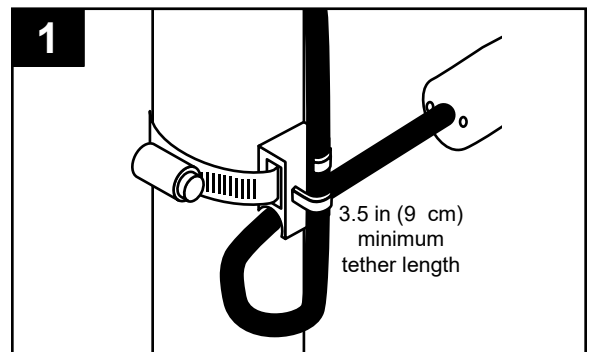
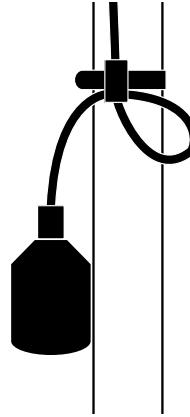
TETHER LENGTH AND PUMPING RANGE		CHART 1					
Tether Length (In.)	3.5 min.	6	9	12	15	18	22
Pumping range	8	11	15	21	28	31	36

**PREVENTATIVE MAINTENANCE**

- Periodically inspect the product. Check that the cable has not become worn or that the housing has not been damaged so as to impair the protection of the product. Replace the product immediately if any damage is found or suspected.
- Periodically check to see that the float is free to move and operate the switch.

# SUMP PUMP PIGGY-BACK FLOAT SWITCH

MODEL # 024779



Questions, problems, missing parts? Before returning to your retailer, call our customer service department at 1-800-742-5044, 7:30 a.m. - 5:00 p.m., EST, Monday - Friday.