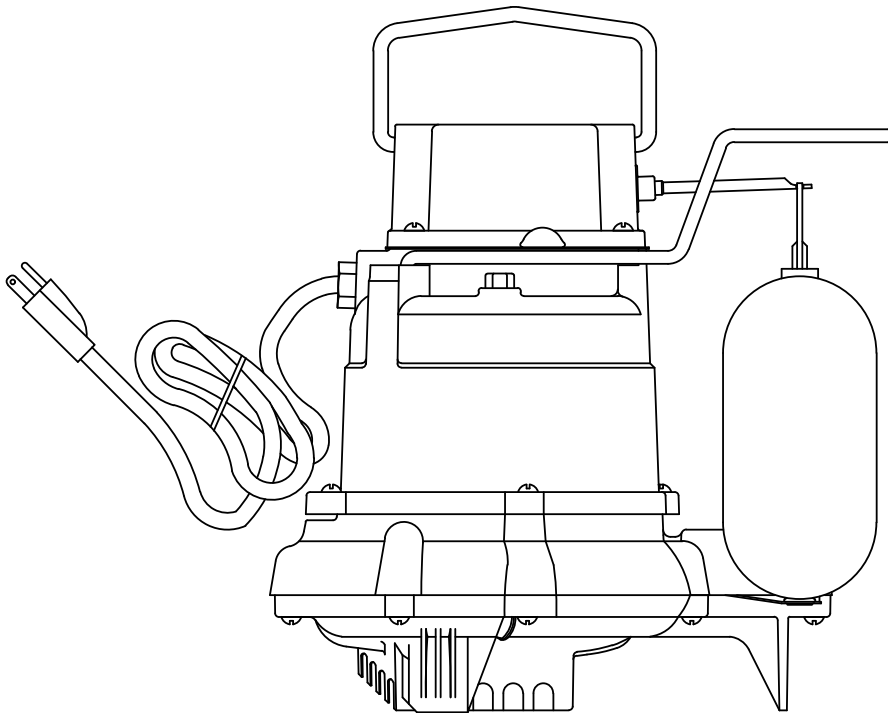


SUBMERSIBLE SUMP PUMPS

MODELS 3SEHL, S1057, S1098

Español p. 9



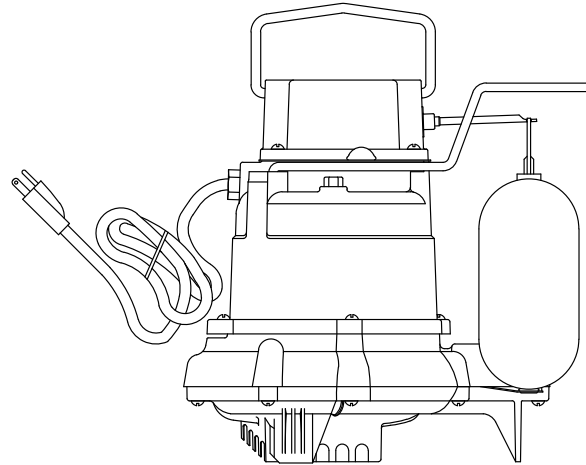
ATTACH YOUR RECEIPT HERE

Serial Number _____ Purchase Date _____



Questions, problems, missing parts? Before returning to your retailer, call our customer service department at 1-800-742-5044, 7:30 a.m. - 5:00 p.m., EST, Monday - Friday.

PACKAGE CONTENTS



DESCRIPTION	QUANTITY
Pump	1

SAFETY INFORMATION

Please read and understand this entire manual before attempting to assemble, operate, or install the product.

NOTE: Pumps with the “UL” Mark and pumps with the “US” mark are tested to UL Standard UL778. CSA certified pumps are certified to CSA Standard C22.2 No. 108. (CUS.)

! DANGER

- **FIRE/EXPLOSION HAZARD.**
Pump only clear water. Do not pump flammable or explosive fluids such as gasoline, fuel oil, kerosene, etc. Do not use in a flammable and/or explosive atmosphere. Failure to follow these warnings could result in death or serious injury and/or property damage.
- **RISK OF ELECTRIC SHOCK.**
These pumps have not been investigated for use in swimming pool and marine areas.
- **RISK OF ELECTRIC SHOCK.**
Always disconnect power source before attempting to install, service, or maintain the pump. Never handle a pump with wet hands or when standing on wet or damp surface or in water. Fatal electrical shock could occur.
- **RISK OF ELECTRIC SHOCK.**
Keep pump out of reach of children.

! WARNING

- **ELECTRICAL SHOCK ALERT.**
Before installing this product, have the electrical circuit checked by an electrician to ensure proper grounding. All electrical installations must conform to the National Electric Code and all local codes.
- **ELECTRICAL SHOCK ALERT.**
Connect this product to a properly-grounded 115 volt circuit equipped with a Ground Fault Circuit Interrupter (GFCI) device. Make sure the electrical supply circuit is equipped with fuses or circuit breakers with a minimum capacity of 15 amps.
- **ELECTRICAL SHOCK ALERT.**
Never use an extension cord.
- **ELECTRICAL SHOCK ALERT.**
These pumps are supplied with a 3-prong grounded plug to help protect you against the possibility of electrical shock. **DO NOT UNDER ANY CIRCUMSTANCES REMOVE THE GROUND PIN.**
- **ELECTRICAL SHOCK ALERT.**
Do not remove or replace the power cord.
- **ELECTRICAL SHOCK ALERT.**
Protect electrical cord from sharp objects, hot surfaces, oil, and chemicals. Avoid kinking the cord.
- **CHEMICAL ALERT.**
! Prop65 Warning for California residents: WARNING: Cancer and Reproductive Harm - www.P65Warnings.ca.gov
- **PERSONAL INJURY ALERT.**
This pump contains oil, which becomes hot when operating. Allow 2-1/2 hours after disconnecting before attempting any service.

CAUTION

- **PERSONAL INJURY OR PRODUCT DAMAGE MAY RESULT.**
This pump operates on 115 volts. Make certain that the power source conforms to the requirements of your equipment.
- **PRODUCT DAMAGE MAY RESULT.**
The continuous operating water temperature for this pump must not exceed 104°F (40°C).
- **PRODUCT DAMAGE MAY RESULT.**
This pump is designed to pump water only. It has not been evaluated for pumping chemicals or corrosive materials.
- **PRODUCT DAMAGE MAY RESULT.**
Inspect the pump regularly for damage and perform routine maintenance as needed. Remove any debris that may build up around the on/off operation of the float.
- **PROPERTY DAMAGE MAY RESULT.**
This product requires a 3/16-in vent hole to be drilled in the discharge pipe, level with the top of the pump. The vent hole should be checked periodically for clogs. It is normal for water to come out of this vent hole during pump operation.
- **PROPERTY OR PRODUCT DAMAGE MAY RESULT.**
This pump is not designed for pumping effluent or sewage.
- **PRODUCT DAMAGE MAY RESULT.**
This pump is not designed for continuous operation.

PREPARATION

Estimated Installation Time: 15 minutes

Materials required for assembly: Sump basin, inlet piping, discharge piping (PVC, poly pipe or galvanized steel), check valve, and 2-step PVC glue system (primer and sealer).

MODEL	HP	AMPS	SPECIFICATIONS				
			PERFORMANCE IN GALLONS PER MINUTE				
			0 FT.	5 FT.	10 FT.	15 FT.	20 FT.
3SEHL, S1057, 412082	.3	9.7	48	43	34	19	-
S1098, 451549	1/2	9.4	80	72	61	45	25

GENERAL PUMP INFORMATION

This pump is designed to be installed in a sump basin for removing clear drain water and will usually pass small particles suspended in water. Heavy mud, sand, or pea gravel can clog the pump, which can usually be cleaned out by back-flushing with a garden hose through the pump discharge.

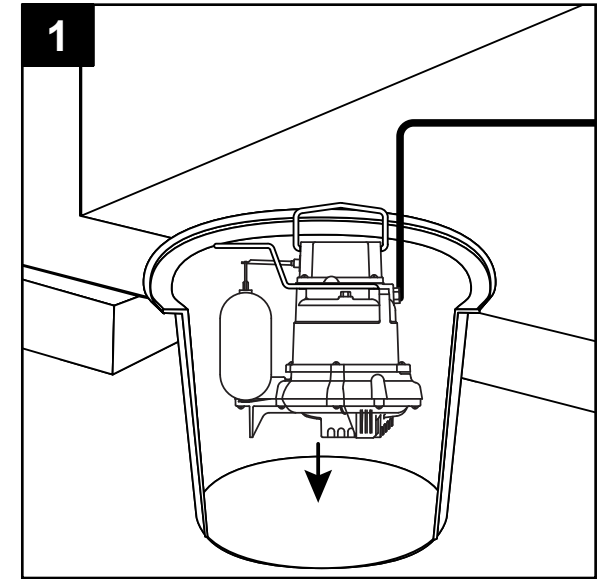
A check valve must be installed in the discharge pipe to keep water from draining back into the sump basin when it is not operating. The sump basin must be at least 18-in deep and 12-in diameter.

NOTES: Before installing pump:

- Have the electrical circuit checked by an electrician to ensure it is on a dedicated circuit with proper grounding.
- Connect pump to a grounded circuit equipped with a ground fault circuit interruptor (GFCI) device.
- BE CERTAIN the pump power source is disconnected before installing or servicing this unit.
- Be sure the sump basin and piping are clear of sand, dirt, and scale. Debris will clog pump and void warranty.
- Failure to protect pump and piping from freezing could cause severe damage and will void the warranty.
- Do not run pump dry.

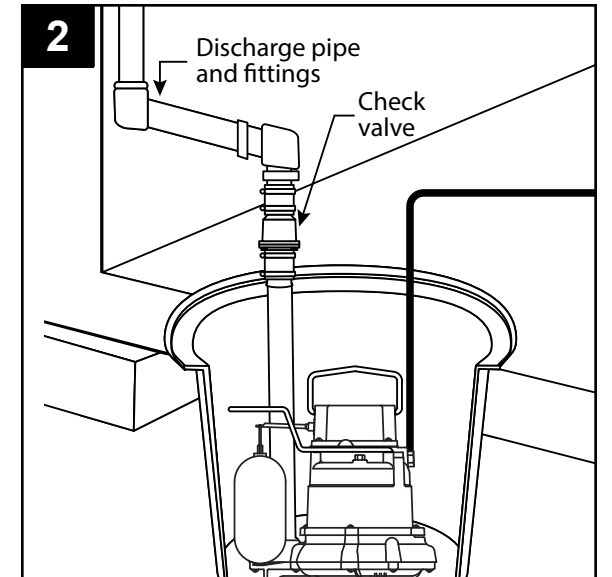
INSTALLATION INSTRUCTIONS

1. Make sure the sump basin is cleared of any debris or sediment, and place the sump pump on a hard surface inside the basin.

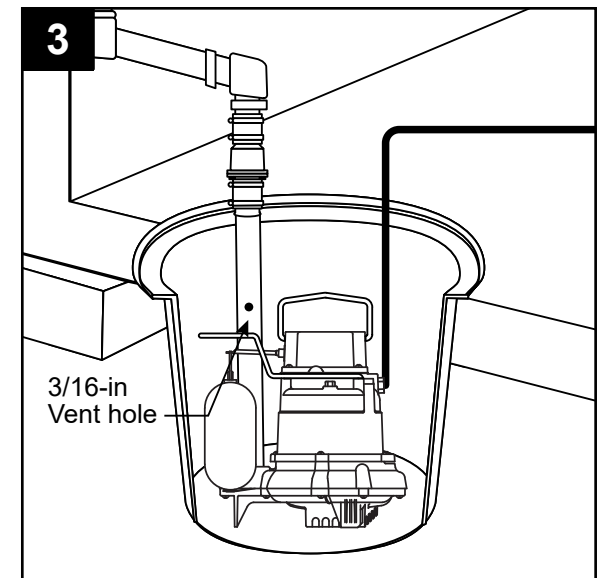


2. Connect the discharge pipe, fittings, and check valve (not provided) to pump discharge. The discharge pipe should be the same size as the discharge of pump (1-1/2-in) or larger.

NOTE: Make sure there is enough room in the basin for the float to move freely. If the float is restricted, the pump will not operate.



3. Drill a 3/16-in vent hole in the discharge pipe, level with the top of pump. Pumps have a vent located in the pump, but an additional vent hole is recommended. It is normal for water to spray from this hole when the pump is operating.

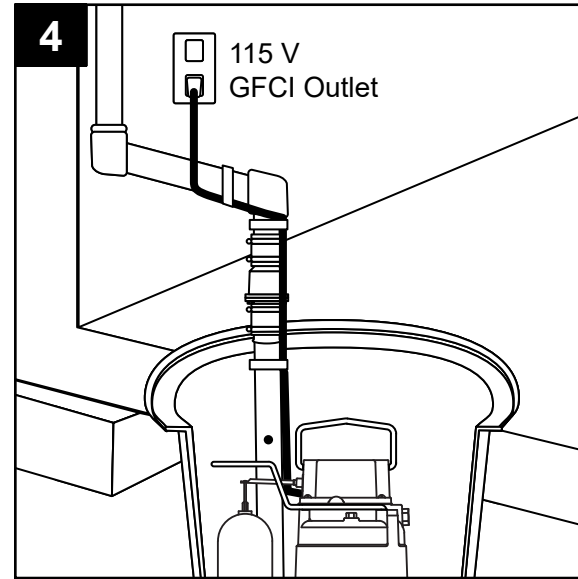


INSTALLATION INSTRUCTIONS

4. Make sure your hands are dry and you are not standing in water. Connect the pump to a properly-grounded, GFCI electrical outlet.

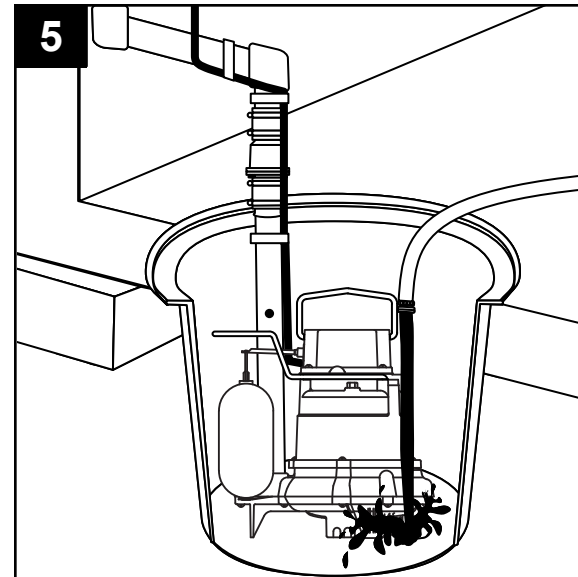
WARNING: Do not use an extension cord.

NOTE: Tape the electrical cord to the discharge pipe to prevent it from interfering with the motion of the float.

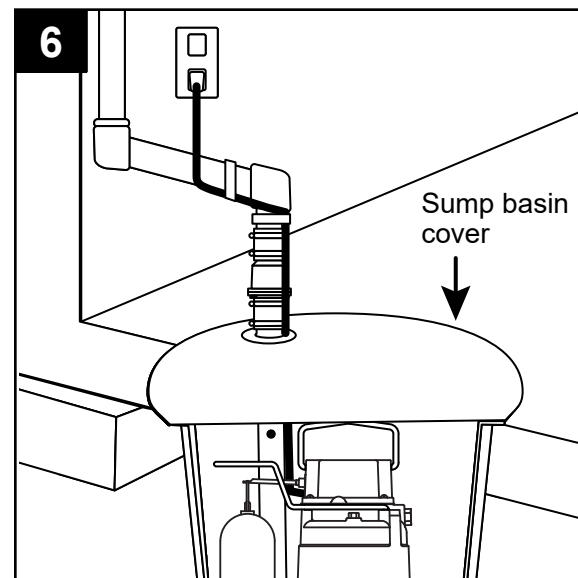


5. Test the operation of the pump by pouring water into the sump basin. The pump will turn off automatically when the water level in the basin reaches the "off" level.

Model	On Level	Off Level
3SEHL, S1057	7-1/4"	3"
S1098	9-1/2"	3"



6. Install a sump basin cover to complete the installation.



CARE AND MAINTENANCE

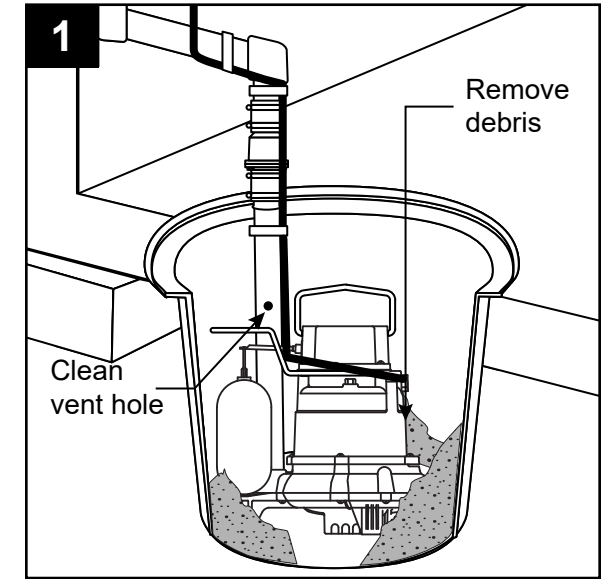
WARNING: Always disconnect pump from power source before handling.

At least every three months:

Remove any debris that may build up in the sump basin to prevent it from interfering with the operation of the float switch.

Clean out the vent hole that was drilled in the discharge pipe during installation.

Test system for operation.



WARRANTY

This product is warranted for three years from the date of purchase. Subject to the conditions hereinafter set forth, the manufacturer will repair or replace to the original consumer any portion of the product which proves defective due to defective materials or workmanship. To obtain warranty service, contact the dealer from whom the product was purchased. The manufacturer retains the sole right and option to determine whether to repair or replace defective equipment, parts, or components. Damage due to conditions beyond the control of the manufacturer is not covered by this warranty.

THIS WARRANTY WILL NOT APPLY: (a) To defects or malfunctions resulting from failure to properly install, operate, or maintain the unit in accordance with printed instructions provided; (b) to failures resulting from abuse, accident, or negligence, or use of inappropriate chemicals or additives in the water; (c) to normal maintenance services and the parts used in connection with such service; (d) to units which are not installed in accordance with normal applicable local codes, ordinances, and good trade practices; and (e) if the unit is used for purposes other than for what it was designed and manufactured.

RETURN OF WARRANTED COMPONENTS: Any item to be repaired or replaced under this warranty must be returned to the manufacturer at Kendallville, Indiana or such other place as the manufacturer may designate, freight prepaid.

THE WARRANTY PROVIDED HEREIN IS IN LIEU OF ALL OTHER EXPRESS WARRANTIES, AND MAY NOT BE EXTENDED OR MODIFIED BY ANYONE. ANY IMPLIED WARRANTIES SHALL BE LIMITED TO THE PERIOD OF THE LIMITED WARRANTY AND THEREAFTER ALL SUCH IMPLIED WARRANTIES ARE DISCLAIMED AND EXCLUDED. THE MANUFACTURER SHALL NOT, UNDER ANY CIRCUMSTANCES, BE LIABLE FOR INCIDENTAL, CONSEQUENTIAL OR SPECIAL DAMAGES, SUCH AS, BUT NOT LIMITED TO DAMAGE TO, OR LOSS OF, OTHER PROPERTY OR EQUIPMENT, LOSS OF PROFITS, INCONVENIENCE, OR OTHER INCIDENTAL OR CONSEQUENTIAL DAMAGES OF ANY TYPE OR NATURE. THE LIABILITY OF THE MANUFACTURER SHALL NOT EXCEED THE PRICE OF THE PRODUCT UPON WHICH SUCH LIABILITY IS BASED.

This warranty gives you specific legal rights, and you may have other rights which vary from state to state. Some states do not allow limitations on duration of implied warranties or exclusion of incidental or consequential damages, so the above limitations may not apply to you.

In those instances where damages are incurred as a result of an alleged pump failure, the Homeowner must retain possession of the pump for investigation purposes.

TROUBLESHOOTING

DANGER

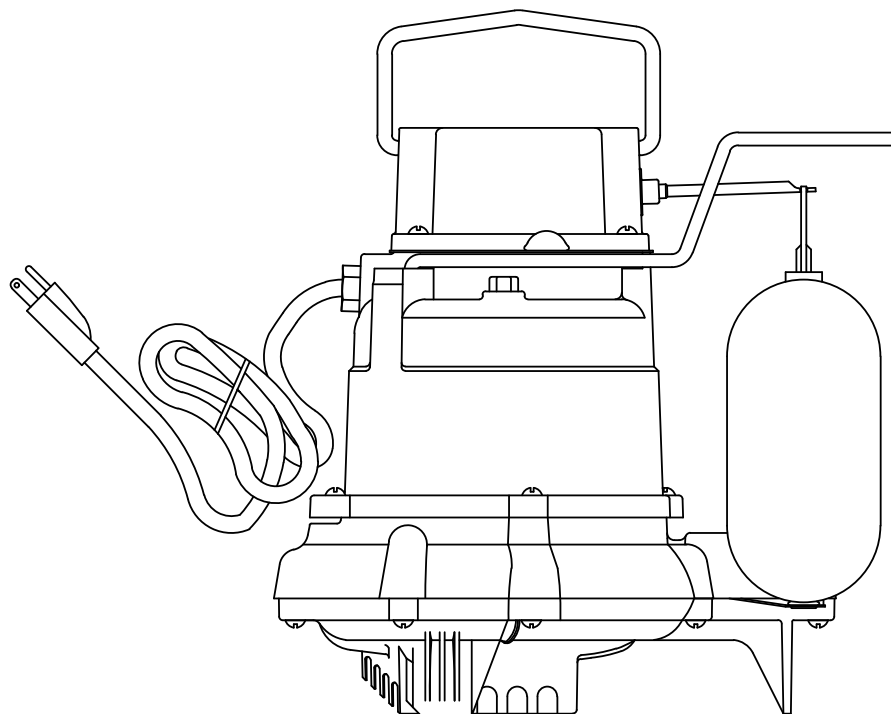
RISK OF ELECTRIC SHOCK.

Always disconnect power source before attempting to install, service, or maintain the pump. Never handle a pump with wet hands or when standing on wet or damp surface or in water. Fatal electrical shock could occur.

PROBLEM	POSSIBLE CAUSE	CORRECTIVE ACTION
Pump will not start or run.	1. Circuit breaker is off or fuse is blown or loose.	1. Reset circuit breaker or replace fuse. If problem continues, contact a professional electrician or plumber.
	2. Water in sump basin is not high enough to cause the switch to turn on.	2. Water will turn on when it reaches the proper level for the pump.
	3. Pump is not plugged in or is connected to a wall switch that has been turned off.	3. Plug pump securely into GFCI outlet that cannot be turned off by a wall switch.
	4. Float cannot move freely.	4. Remove any obstructions around float.
Pump runs, but does not deliver water.	1. Make sure check valve is not installed backwards.	1. Arrow on valve should point away from pump.
	2. Shut-off valve (if used) may be closed.	2. Open shut-off valve.
	3. Impeller or pump inlet is clogged.	3. Remove pump from basin and clean impeller or pump inlet.
	4. Pump is air-locked.	4. Clean out vent hole in discharge pipe.
	5. Vertical pumping distance is too high.	5. Reduce the vertical distance to correspond with the performance chart in the instructions.
Pump runs continuously.	1. Float is stuck in the 'on' position.	1. Make sure the float can move freely.
	2. Float switch is defective.	2. Replace float switch.
Pump runs, but delivers little water.	1. Pump is air-locked.	1. Clean out vent hole in discharge pipe.
	2. Vertical pumping distance is too high.	2. Reduce the vertical distance to correspond with the performance chart in the instructions.
	3. Impeller or pump inlet is clogged.	3. Remove pump from basin and clean impeller or pump inlet.
Fuse blows or circuit breaker trips when pump starts.	1. Impeller or pump inlet is clogged.	1. Remove pump from basin and clean impeller or pump inlet.
	2. Fuse size or circuit breaker may be too small.	2. Electrical circuit capacity must be 15 amps or higher.

BOMBAS DE SUMIDERO SUMERGIBLES

MODELOS 3SEHL, S1057, S1098



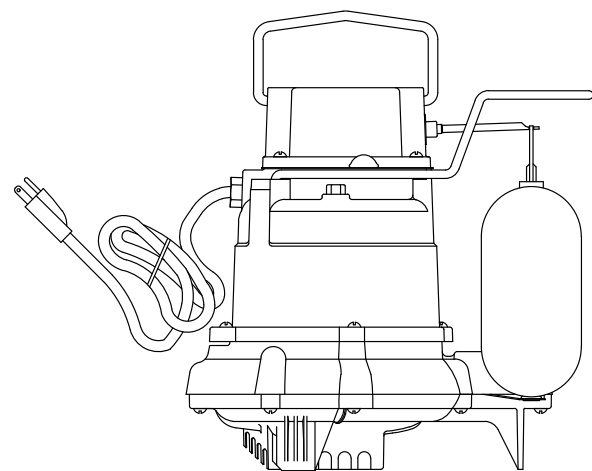
ADJUNTE SU RECIBO AQUÍ

Número de serie _____ Fecha de compra _____



¿Preguntas, problemas, partes faltantes? Antes de acudir al minorista, llame a nuestro departamento de servicio al cliente al 1-800-742-5044, de lunes a viernes de 7:30 a.m. a 5:00 p.m., EST.

CONTENIDO DEL PAQUETE



DESCRIPCIÓN	CANTIDAD
Bomba	1

! INFORMACIÓN DE SEGURIDAD

Lea y comprenda todo el manual antes de intentar ensamblar, operar o instalar el producto.

NOTA: Las bombas que exhiban la marca "UL", así como aquellas que exhiban la marca "US", satisfacen la norma UL778 de Underwriters Laboratory. Las bombas certificadas por la Asociación Canadiense de Normalización (CSA) satisfacen la norma C22.2 de la CSA. 108.

! PELIGRO

- **PELIGRO DE INCENDIO/EXPLOSIÓN.**
Pump only clear water. Do not pump flammable or explosive fluids such as gasoline, fuel oil, kerosene, etc. Do not use in a flammable and/or explosive atmosphere. Failure to follow these warnings could result in death or serious injury and/or property damage.
- **RIESGO DE DESCARGA ELÉCTRICA.**
No se ha investigado el uso de estas bombas en áreas marinas y en piscinas.
- **RIESGO DE DESCARGA ELÉCTRICA.**
Siempre desconecte la alimentación eléctrica antes de instalar la bomba o realizar actividades de servicio o mantenimiento. Nunca manipule la bomba con las manos mojadas o si está de pie en agua o sobre una superficie húmeda o mojada, ya que podría ocurrir una electrocución fatal.
- **RIESGO DE DESCARGA ELÉCTRICA.**
Mantenga la bomba fuera del alcance de los niños.

! ADVERTENCIA

- **ALERTA DE DESCARGA ELÉCTRICA.**
Antes de instalar este producto, haga que un electricista revise su circuito para asegurarse de que la puesta a tierra sea adecuada. Todas las instalaciones eléctricas deben realizarse de conformidad con el Código Eléctrico Nacional y todos los códigos locales.

- **ALERTA DE DESCARGA ELÉCTRICA.**
Conecte este producto a un circuito con la debida puesta a tierra de 115 voltios, equipado con un interruptor de circuito de fallas de puesta a tierra (GFCI, por sus siglas en inglés). Asegúrese de que el circuito de suministro eléctrico esté equipado con fusibles o disyuntores con una capacidad mínima de 15 amperios.
- **ALERTA DE DESCARGA ELÉCTRICA.**
Nunca utilice una extensión eléctrica.
- **ALERTA DE DESCARGA ELÉCTRICA.**
Estas bombas vienen con un enchufe de 3 clavijas, con conexión a tierra, para protegerlo en caso de una descarga eléctrica. **BAJO NINGUNA CIRCUNSTANCIA QUITA EL CONECTOR DE TIERRA.**
- **ALERTA DE DESCARGA ELÉCTRICA.**
No quite ni reemplace el cable de energía
- **ALERTA DE DESCARGA ELÉCTRICA.**
Proteja el cable eléctrico de objetos afilados, superficies calientes, aceite y sustancias químicas. Evite torcer el cable.
- **ALERTA DE PRODUCTO QUÍMICO.**
! Advertencia de Proposición 65 para residentes de California
ADVERTENCIA: Cáncer y Daño Reproductivo - www.P65Warnings.ca.gov
- **ALERTA DE LESIONES PERSONALES.**
Esta bomba contiene aceite, el cual que se calienta cuando funciona. Antes de proceder con el mantenimiento, deje que pasen 2 1/2 horas después de desconectarla.

PRECAUCIÓN

- **PODRÍAN PRODUCIRSE LESIONES PERSONALES O DAÑOS AL PRODUCTO.**
Esta bomba funciona con 115 voltios. Asegúrese de que la fuente de energía cumpla los requisitos de su equipo.
- **SE PUEDE PROVOCAR DAÑO AL PRODUCTO.**
La temperatura del agua de funcionamiento continuo para este modelo de bombas no debe sobrepasar 40°C (104°F).
- **SE PUEDE PROVOCAR DAÑO AL PRODUCTO.**
Esta bomba está diseñada para bombear agua únicamente. No ha sido evaluada para bombear químicos ni materiales corrosivos.
- **SE PUEDE PROVOCAR DAÑO AL PRODUCTO.**
Inspeccione regularmente la bomba en busca de daños y realice el mantenimiento de rutina según sea necesario. Quite la suciedad que pudiera acumularse alrededor de la operación de encendido/apagado del flotador.
- **SE PUEDE PROVOCAR DAÑO A LA PROPIEDAD.**
Se debe perforar un orificio de ventilación de 5 mm (3/16") en la tubería de descarga nivelado con la parte superior de la bomba. Periódicamente se deberá revisar que el orificio de ventilación no esté obstruido. Es normal que salga agua de este orificio de ventilación durante el funcionamiento de la bomba.
- **PODRÍA CAUSAR DAÑOS A LA PROPIEDAD O AL PRODUCTO.**
Esta bomba no está diseñada para bombear efluentes o aguas negras.
- **PUEDE PROVOCAR DAÑO AL PRODUCTO.**
Esta bomba no está diseñada para un funcionamiento continuo.

PREPARACIÓN

Tiempo estimado de instalación: 15 minutos

Materiales requeridos para el ensamblaje: Contenedor para agua de sumidero, tubería de entrada, tubería de descarga (PVC, tubería de polietileno o acero galvanizado), válvula de retención, sistema para pegar de PVC de 2 pasos (imprimante y sellador).

MODELO	HP	AMPERIOS	Especificaciones				
			RENDIMIENTO EN GALONES POR MINUTO				
			0 PIES	5 PIES	10 PIES	15 PIES	20 PIES
3SEHL, S1057, 412082	.3	9.7	48	43	34	19	-
S1098, 451549	1/2	9.4	80	72	61	45	25

INFORMACIÓN GENERAL ACERCA DE LA BOMBA

Esta bomba está diseñada para ser instalada en un contenedor para agua de sumidero para quitar el agua de drenaje limpia y habitualmente pasarán por ella partículas suspendidas en el agua. El lodo pesado, la arena o la gravilla pueden obstruir la bomba, lo que generalmente se puede limpiar lavando a presión con una manguera de jardín a través de la descarga de la bomba.

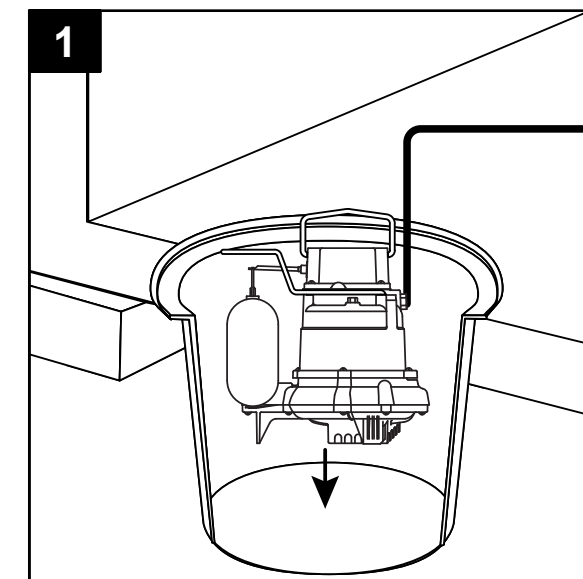
Se debe instalar una válvula de retención en la tubería de descarga para evitar que el agua se devuelva hacia el recipiente del sumidero cuando no esté en funcionamiento. El recipiente del sumidero debe tener al menos 45,72 cm de profundidad y 30,48 cm de diámetro.

NOTAS: Antes de instalar la bomba:

- Haga que un electricista verifique el circuito eléctrico para asegurar que esté en un circuito exclusivo con la conexión a tierra adecuada.
- Conecte la bomba a un circuito con conexión a tierra equipado con un interruptor de circuito con protección de falla a tierra (GFCI, por sus siglas en inglés).
- **ASEGÚRESE** de que la fuente de alimentación de la bomba esté desconectada antes de instalar o hacer el mantenimiento de esta unidad.
- Asegúrese de que el contenedor para agua de la bomba y la tubería no tengan arena, suciedad y acumulación. La suciedad obstruirá la bomba y anulará la garantía.
- No proteger la bomba y la tubería del congelamiento podría causar daños graves y anular la garantía.
- No opere la bomba en seco.

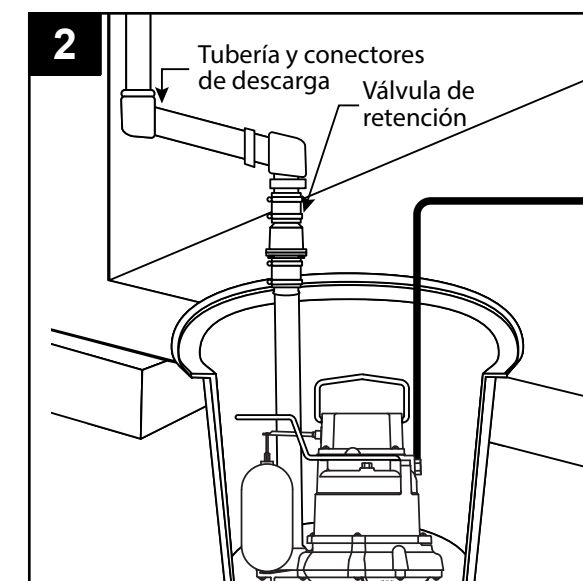
INSTRUCCIONES DE INSTALACIÓN

1. Asegúrese de que el contenedor para agua de sumidero no tenga suciedades ni sedimentos, y coloque la bomba de sumidero sobre una superficie dura dentro del contenedor.

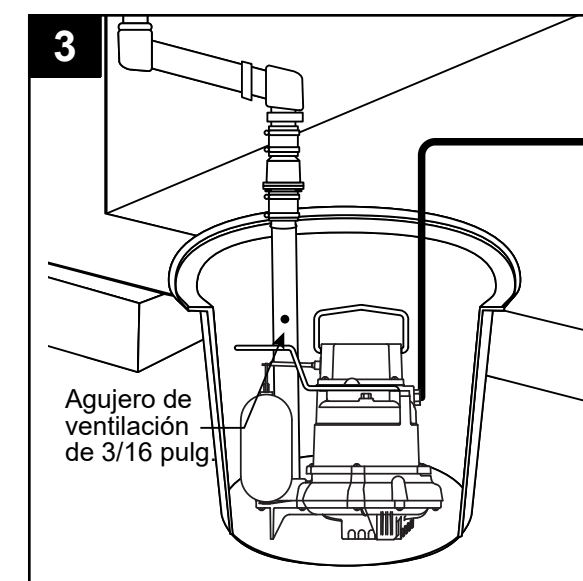


2. Conecte la tubería de descarga, los conectores y la válvula de retención (no provista) a la descarga de la bomba. La tubería de descarga debe tener el mismo tamaño que la descarga de la bomba, (1 1/2") o mayor.

NOTA: Asegúrese de que haya suficiente espacio en el contenedor para agua para que el flotador se mueva libremente. Si el flotador no puede moverse, la bomba no funcionará.



3. Taladre un orificio de ventilación de 4,76 mm en la tubería de descarga, a nivel con la parte superior de la bomba. Las bombas poseen un agujero de ventilación, sin embargo, se recomienda un agujero de ventilación adicional. Es normal que emane agua desde este orificio cuando la bomba está funcionando.

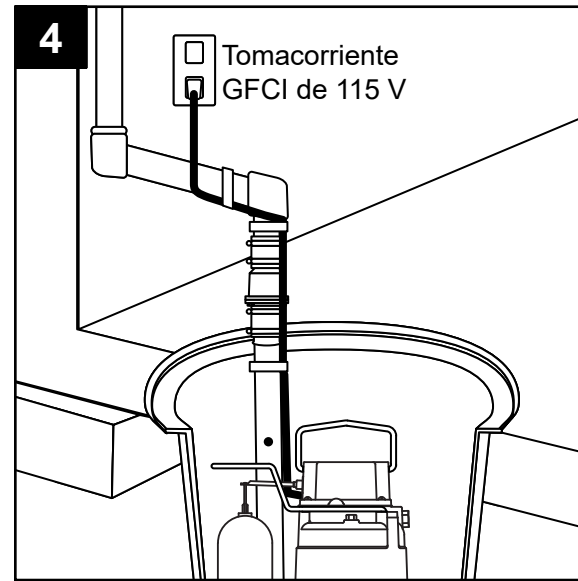


INSTRUCCIONES DE INSTALACIÓN

4. Asegúrese de tener las manos secas y de no estar parado en el agua. Conecte la bomba a un enchufe eléctrico con GFCI debidamente conectado a tierra.

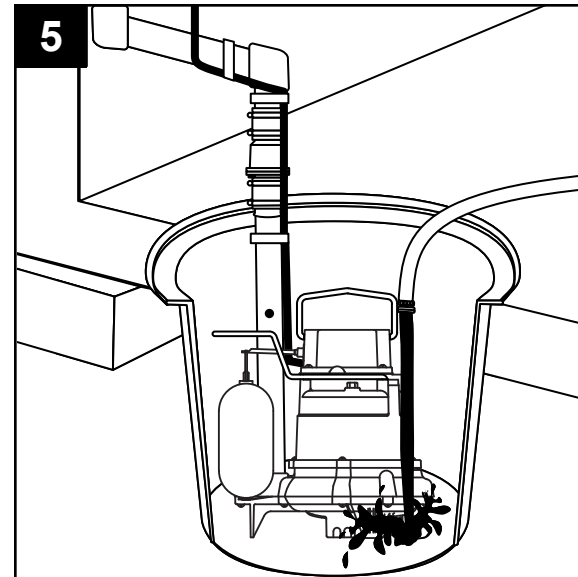
ADVERTENCIA: No utilice una extensión eléctrica.

NOTA: Encinte el cable de electricidad a la tubería de descarga para evitar que interfiera con el movimiento del flotador.

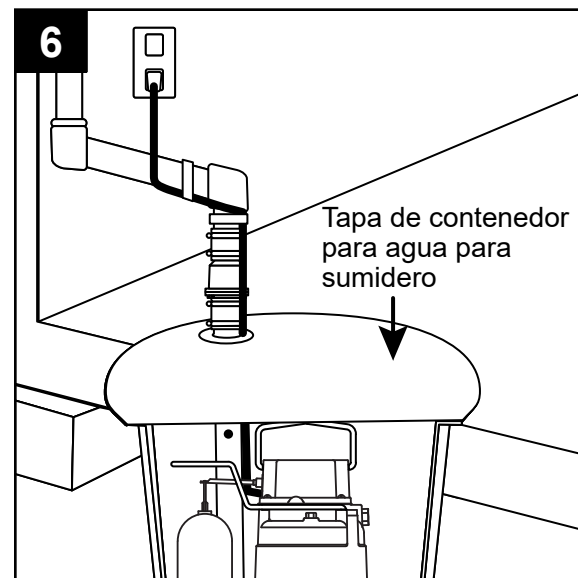


5. Para probar el funcionamiento de la bomba, vierta agua en el recipiente del sumidero. La bomba se apagará automáticamente cuando el nivel de agua en el recipiente alcance el nivel de apagado.

Modelo	Nivel de encendido	Nivel de apagado
3SEHL, S1057	7-1/4 pulg.	3 pulg.
S1098	9-1/2 pulg.	3 pulg.



6. Instale una cubierta para el contenedor para agua de sumidero para completar la instalación.



CUIDADO Y MANTENIMIENTO

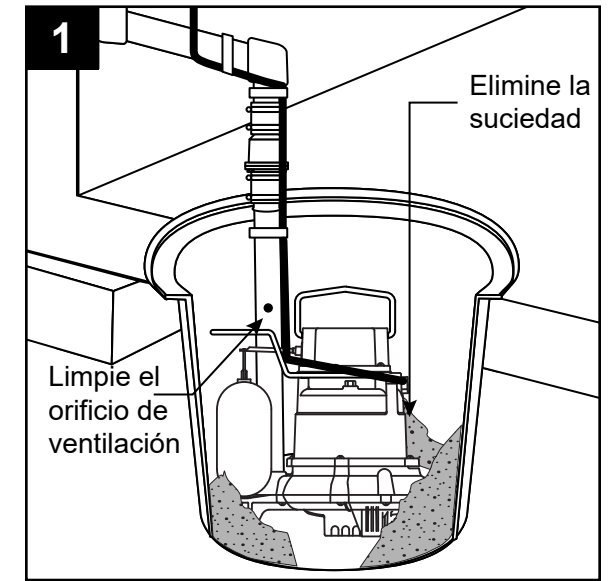
ADVERTENCIA: Desconecte siempre la bomba de la fuente de energía eléctrica antes de manipularla.

Al menos cada tres meses:

Quite la suciedad que pudiera acumularse alrededor del contenedor para agua de sumidero para evitar que interfiera con el funcionamiento del interruptor del flotador.

Limpie el orificio de ventilación que se perforó en la tubería de descarga durante la instalación.

Pruebe el funcionamiento del sistema.



GARANTÍA

Este producto se garantiza por un período de tres años a partir de la fecha de compra. Sujeto a las condiciones indicadas a continuación, el fabricante se compromete a reparar o reemplazar al consumidor original cualquier parte del producto que resulte defectuosa debido a defectos de materiales o mano de obra. Para obtener el servicio de garantía, póngase en contacto con el distribuidor al que le compró el producto. El fabricante se reserva el derecho y la opción exclusivos de determinar si se deben reparar o sustituir los equipos, piezas o componentes defectuosos. Los daños debidos a circunstancias ajenas al control del fabricante no están cubiertos por esta garantía.

ESTA GARANTÍA NO APLICARÁ: (a) a defectos o mal funcionamiento ocasionados por no instalar, operar o mantener la unidad de acuerdo con las instrucciones impresas proporcionadas, (b) a los fallos resultantes del abuso, accidentes o negligencia o uso inapropiado de productos químicos o aditivos en el agua, (c) a los servicios normales de mantenimiento y las piezas utilizadas en relación con dicho servicio; (d) a las unidades que no estén instaladas de acuerdo con los códigos locales, ordenanzas y buenas prácticas comerciales normalmente aplicables y (e) la unidad se utiliza para fines distintos a los que fue diseñada y fabricada.

DEVOLUCIÓN DE COMPONENTES EN GARANTÍA: Cualquier elemento a ser reparado o reemplazado bajo esta garantía debe ser devuelto al fabricante en Kendallville, Indiana o a cualquier otro lugar que el fabricante pueda designar, con flete prepago.

LA GARANTÍA AQUÍ CONTENIDA ESTÁ EN LUGAR DE TODAS LAS OTRAS GARANTÍAS EXPRESAS Y NO PUEDE SER AMPLIADA O MODIFICADA POR NADIE. CUALQUIER GARANTÍA IMPLÍCITA DEBERÁ LIMITARSE AL PERÍODO DE ESTA GARANTÍA LIMITADA Y A PARTIR DE ENTONCES TODAS DICHAS GARANTÍAS IMPLÍCITAS QUEDARÁN RECHAZADAS Y EXCLUIDAS. EL FABRICANTE NO SERÁ RESPONSABLE, BAJO NINGUNA CIRCUNSTANCIA, DE NINGÚN DAÑO INCIDENTAL, CONSECUENTE O ESPECIAL, COMO, A TÍTULO ENUNCIATIVO PERO NO RESTRICTIVO, LA PÉRDIDA DE OTROS BIENES O EQUIPOS, LA PÉRDIDA DE BENEFICIOS, INCONVENIENTES U OTROS DAÑOS INCIDENTALES O CONSECUENTES DE CUALQUIER TIPO O CARÁCTER. LA RESPONSABILIDAD DEL FABRICANTE NO DEBERÁ SUPERAR EL PRECIO DEL PRODUCTO EN EL CUAL SE BASE TAL RESPONSABILIDAD.

Esta garantía le otorga a usted derechos legales específicos y podría tener otros derechos que varían de un estado a otro. Algunos estados no permiten limitaciones en la duración de una garantía implícita, de forma que la limitación anterior podría no aplicar a usted. Algunos estados no permiten la exclusión o limitación de daños incidentales o emergentes, de forma que la limitación o exclusión anterior podría no aplicar a usted.

PARA OBTENER LA PROTECCIÓN DE LA GARANTÍA, EL REGISTRO DE LA GARANTÍA DEBE COMPLETARSE Y DEVOLVERSE AL CENTRO DE INFORMACIÓN DE LA GARANTÍA DENTRO DE LOS DIEZ DÍAS DE LA INSTALACIÓN.

En aquellas instancias en que haya daños causados por una presunta falla de la bomba, el propietario deberá conservar la bomba a fin de investigar dicha falla.

SOLUCIÓN DE PROBLEMAS



PELIGRO

RIESGO DE DESCARGA ELÉCTRICA.

Desconecte siempre la fuente de alimentación antes de instalar, reparar o realizar el mantenimiento de la bomba. No manipule la bomba con las manos mojadas o cuando esté parado sobre una superficie mojada, húmeda o con agua. Puede ocurrir una descarga eléctrica mortal.

PROBLEMA	CAUSA POSIBLE	ACCIÓN CORRECTIVA
La bomba no enciende ni funciona.	1. El disyuntor está apagado o el fusible está fundido o flojo.	1. Restablezca el disyuntor o reemplace los fusibles. Si el problema continúa, comuníquese con un electricista o plomero profesional.
	2. El agua en el contenedor para agua de sumidero no está lo suficientemente alta como para que se encienda el interruptor.	2. El agua lo encenderá cuando alcance el nivel adecuado para su funcionamiento.
	3. La bomba no está enchufada o está conectada a un interruptor de pared que no se encendió.	3. Enchufe la bomba en una toma de corriente con GFCI que no se pueda apagar mediante un interruptor de pared.
	4. El flotador no se puede mover libremente.	4. Quite las obstrucciones alrededor del flotador.
La bomba funciona pero no sale agua.	1. Asegúrese de que la válvula de retención no esté instalada al revés.	1. La flecha de la válvula debe indicar hacia afuera de la bomba.
	2. La válvula de cierre de descarga (si se está usando) puede que esté cerrada.	2. Abra la válvula de cierre.
	3. El impulsor o la entrada de la bomba está atascada.	3. Quite la bomba del contenedor para agua y limpie el impulsor o la entrada de la bomba.
	4. La bomba está bloqueada con aire.	4. Limpie el orificio de ventilación en la tubería de descarga.
	5. La distancia vertical de bombeo es demasiado grande.	5. Reduzca la distancia vertical para que coincida con el cuadro de funcionamiento de las instrucciones.
La bomba funciona de manera continua.	1. El flotador está atascado en la posición 'on' (encendido).	1. Asegúrese de que el flotador se pueda mover libremente.
	2. Interruptor de flotador está defectuoso.	2. Reemplace el interruptor del flotador.
La bomba funciona pero sale poca agua.	1. La bomba está bloqueada con aire.	1. Limpie el orificio de ventilación en la tubería de descarga.
	2. La distancia vertical de bombeo es demasiado grande.	2. Reduzca la distancia vertical para que coincida con el cuadro de funcionamiento de las instrucciones.
	3. El impulsor o la entrada de la bomba está atascada.	3. Quite la bomba del contenedor para agua y limpie el impulsor o la entrada de la bomba.
Cuando la bomba arranca, el fusible se quema o el interruptor de circuito se dispara.	1. El impulsor o la entrada de la bomba está atascada.	1. Quite la bomba del contenedor para agua y limpie el impulsor o la entrada de la bomba.
	2. La capacidad del fusible o del cortacircuitos puede ser insuficiente.	2. La capacidad del circuito eléctrico debe ser de 15 amperios o más.