

**SAFETY INSTRUCTIONS**

Carefully read and follow all safety instructions in this manual.

- Do not allow pump to freeze. Doing so will void the warranty.
- Pump only water with this pump.
- Periodically inspect pump.
- Wear safety glasses at all times when working on pumps.
- Keep work area clean, uncluttered and properly lighted. Store all unused tools and equipment properly.
- Keep visitors and children at a safe distance from the work area and open well heads.

**PRE-INSTALLATION**

**APPLICATION**

This pump is designed to pump water from a driven well. It must be primed before lifting water. The cap is adjustable for a wide range of handle positions.

**TOOLS AND MATERIALS REQUIRED**

- Wrench
- Pipe wrench
- 1-1/4-in steel pipe with threads, or 1-1/4-in PVC pipe with a 1-1/4-in male adapter.

**INSTALLATION**

Thread the pump into the top of the casing of a driven well or bolt it to the cover of a dug well.

NOTE: The base of the pump comes ready for use with a 1-1/4 in. pipe, or it can be reduced with a bushing for use with a 1 in. pipe. Be certain there is a drop pipe extending down into the well water from the pump.

NOTE: Sealing Pipe Joints

Use only Teflon tape or Teflon based joint compounds for all threaded connections to the pump itself. Make sure that all pipe joints in the suction pipe are air tight as well as water tight. If the suction pipe can suck air, the pump will not be able to pull water from the well.

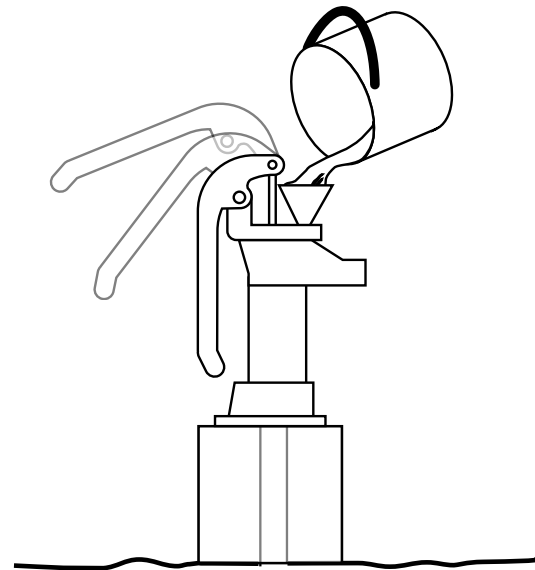
Questions, problems, missing parts? Before returning to your retailer, call our customer service department at 1-800-742-5044, 7:30 a.m. - 5:00 p.m., EST, Monday - Friday.

## PRIMING THE PUMP

**Never operate the pump dry.** Operating the pump without water may damage to the cup leather. ALWAYS fill pump with water before starting to pump.

NOTE: The pump may need to be primed more than once before you can lift water. An optional foot valve can be installed at the bottom of the suction line.

The pitcher pump must be primed before lifting water. Pour water in the top of the pitcher pump until it runs out of the spout. Wait 5 minutes until the cup leather swells enough to make contact with the pump wall. If necessary, add more water.



## MAINTENANCE

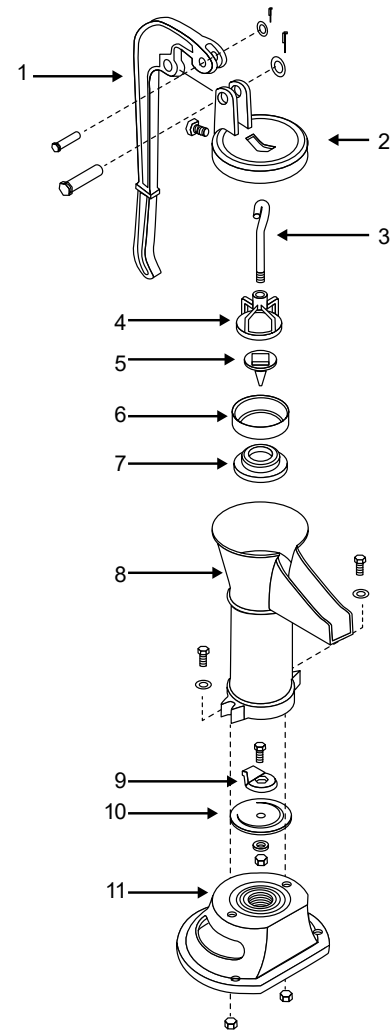
### Replacing the cup leather (see exploded view)

1. Loosen the cap screw on the pump cap (2) and lift the plunger assembly out of the pump.
2. Unscrew the cup leather holder (7).
3. Remove old cup leather (6) and put on new cup leather.
4. Screw leather cup holder back into original position.
5. Reinstall plunger assembly and cap (1 through 7).
6. Insert cap screw and tighten.

### Replacing the valve leather (see exploded view)

1. Remove one of the cap screws located at the base of the plunger body and loosen the other cap screws.
2. Remove the pump body (8) from the pump base (11).
3. Remove the check valve (9) from the valve leather (10).
4. Remove old valve leather. Clean any old leather off of column and base.
5. Position the raised end of check valve at the attached/hinged end of valve leather.
6. Reattach check valve to the valve leather with the screw, nut and washer.
7. Position new valve leather with check valve on base.
8. Reattach pump body to the base by reinstalling and tightening the cap screws, washers and nuts.

## EXPLODED VIEW



No.	Description
1	Pump Handle
2	Pump Cap
3	Lift Rod
4	Plunger Valve Cage

No.	Description
5	Plunger Valve
6	Cup Leather
7	Cup Leather Holder
8	Pump Body

No.	Description
9	Check Valve
10	Valve Leather
11	Base

\* Repair kit 025582 includes items 6 & 10  
\*Not shown

TROUBLESHOOTING		
Problem	Possible Cause	Corrective Action
Pump plunger moves but no water is delivered	1. Pump is not picking up prime.	1. Re-prime pump. See Priming Section in the instructions.
	2. Leak in suction side of pump.	2. Suction pipe is suction air. Check joints for leaks with soapy water.
	3. Well is gaseous.	3. Consult factory about installing a sleeve in the well.
	4. Intermittent over-pumping of well.	4. Be sure pipe is at least 5 ft. below the level of the water in the well.

## FAQ'S

### Do I need to use a foot valve or check valve with my pitcher pump?

**Answer:** A foot valve isn't necessary but if one is installed, the pump must be removed and water must be removed from the pipe in cold weather.

### Are there any tips to winterize this pump?

**Answer:** Providing there is no foot valve or check valve installed in the system, you will need to lift the handle on the pump and all of the water will drain back into the well system.

### What size is the pipe connection on the pump?

**Answer:** 1-1/4 in.

## LIMITED WARRANTY

This product is warranted for 90 days from date of purchase. Subject to the conditions hereinafter set forth, the manufacturer will repair or replace to the original consumer, any portion of the product which proves defective due to defective materials or workmanship. This warranty does not cover replacement parts for failure due to normal wear and tear. To obtain warranty service, contact the dealer from whom the product was purchased. The manufacturer retains the sole right and option to determine whether to repair or replace defective equipment, parts or components. Damage due to conditions beyond the control of the manufacturer is not covered by this warranty.

### THIS WARRANTY WILL NOT APPLY:

(a) To defects or malfunctions resulting from failure to properly install, operate or maintain the unit in accordance with printed instructions provided; (b) to failures resulting from abuse, accident or negligence or use of inappropriate chemicals or additives in the water; (c) to normal maintenance services and the parts used in connection with such service; (d) to units which are not installed in accordance with normal applicable local codes, ordinances and good trade practices; and (e) if the unit is used for purposes other than for what it was designed and manufactured.

### RETURN OF WARRANTED COMPONENTS:

Any item to be repaired or replaced under this warranty must be returned to the manufacturer at Kendallville, Indiana or such other place as the manufacturer may designate, freight prepaid.

THE WARRANTY PROVIDED HEREIN IS IN LIEU OF ALL OTHER EXPRESS WARRANTIES, AND MAY NOT BE EXTENDED OR MODIFIED BY ANYONE. ANY IMPLIED WARRANTIES SHALL BE LIMITED TO THE PERIOD OF THE LIMITED WARRANTY AND THEREAFTER ALL SUCH IMPLIED WARRANTIES ARE DISCLAIMED AND EXCLUDED. THE MANUFACTURER SHALL NOT, UNDER ANY CIRCUMSTANCES, BE LIABLE FOR INCIDENTAL, CONSEQUENTIAL OR SPECIAL DAMAGES, SUCH AS, BUT NOT LIMITED TO DAMAGE TO, OR LOSS OF, OTHER PROPERTY OR EQUIPMENT, LOSS OF PROFITS, INCONVENIENCE, OR OTHER INCIDENTAL OR CONSEQUENTIAL DAMAGES OF ANY TYPE OR NATURE. THE LIABILITY OF THE MANUFACTURER SHALL NOT EXCEED THE PRICE OF THE PRODUCT UPON WHICH SUCH LIABILITY IS BASED.

This warranty gives you specific legal rights, and you may have other rights which vary from state to state. Some states do not allow limitations on duration of implied warranties or exclusion of incidental or consequential damages, so the above limitations may not apply to you.

**In those instances where damages are incurred as a result of an alleged pump failure, the Homeowner must retain possession of the pump for investigation purposes.**