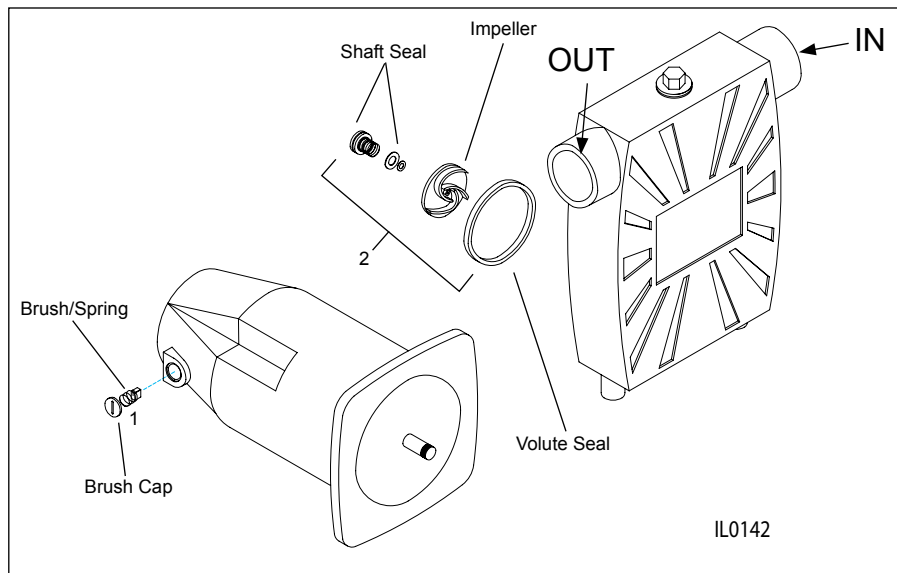


BRUSH TYPE PUMP REPLACEMENT PARTS LIST



REPLACEMENT PARTS LIST			
Ref. No.	Description	Part Number	Req'd Quantity
1	Brush Kit*	015846	1
2	Impeller and Seal Kit	020387 (Pump Rev A)	1
		150380 (Pump Rev B)	

*Kit includes one pair of brushes.