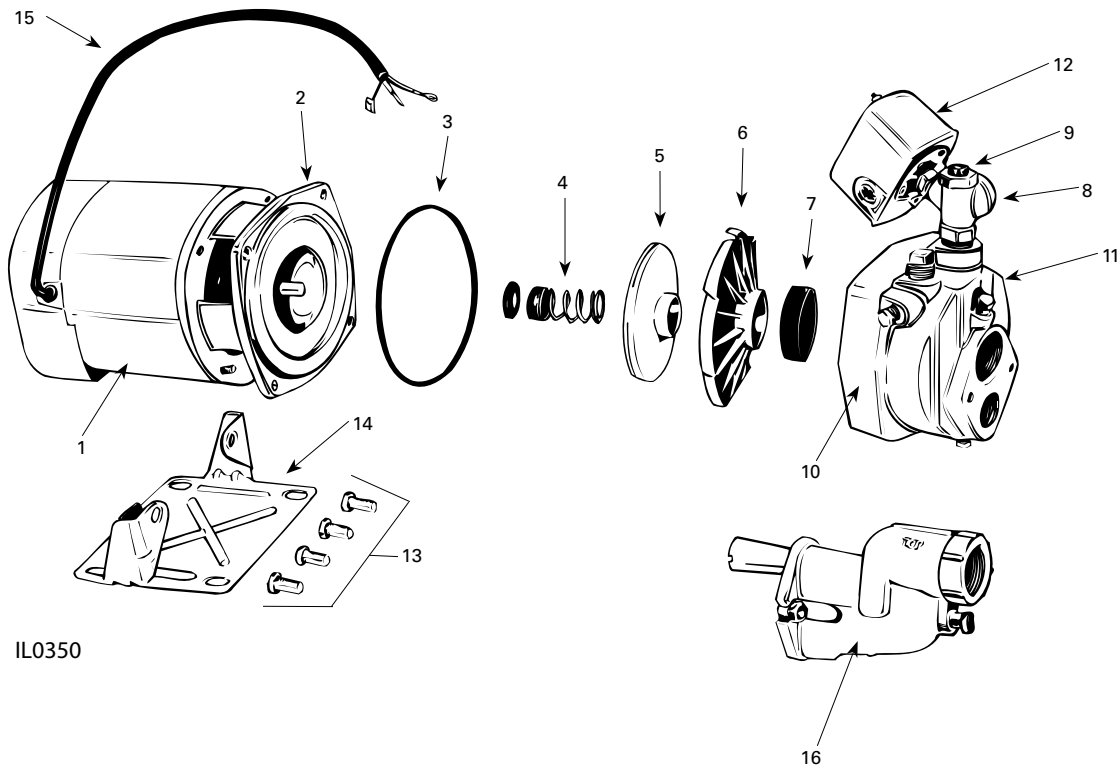


SHALLOW & DEEP WELL JET PUMP REPAIR PARTS

(For Pricing Refer To Repair Parts Price List)



IL0350

HORSEPOWER			1/3	1/2	3/4	1	1-1/2	1/2	3/4
"SW" SHALLOW WELL MODEL NO.			JH03S JHU03S	JH05S JHU05S	JH07S JHU07S	JH10S JHU10S	JHU15S	ES05S	ES07S
"CONV" CONVERTIBLE MODEL NO.			JH03 JHU03	JH05 JHU05	JH07 JHU07	JH10 JHU10			
ITEM	DESCRIPTION	QTY.	PART NO.						
1	Motor, Nema J	1	98J103	98J105	98J107	98J110	98J115	98J105	98J107
2	Mounting Ring	1	134162	134162	134163	134163	134163	135314	134162
3	Ring, Square Cut	1	132583	132583	132429	132429	132429	132583	132583
4	Seal, Rotary w/Spring	1	131100	131100	131100	131100	131100	131100	131100
5	Impeller	1	139348	139349	134137	134138	134138	139348††	139349††
6	Diffuser	1	132424	132424	132425	132425	132425	132424	132424
7	Rubber, Diffuser	1	132428	132428	132428	132428	132428	132428	132428
8 & 9	Control Assembly †	1	134349	134349	134349	134349	N/A	N/A	N/A
8	Control Body	1	135019	135019	135019	135019	135019	N/A	N/A
9	Flow Control Screw	1	124330	124330	124330	124330	124330	N/A	N/A
10	Pump Body	1	134121	134121	134121	134123	134123	134121	134121
11	Plug 1/4" NPT	3	*	*	*	*	*	N/A	N/A
11	Plug 1/2" NPT	1	N/A	N/A	N/A	N/A	N/A	*	*
12	Pressure Switch	1	020345	020345	020345	020345	020345	020345	020345
13	Cap Screws, 3/8 x 3/4"	8	*	*	*	*	*	*	*
14	Base	1	128034	128034	128034	128034	128034	128034	128034
15	Lead Wire	1	136135A	136135A	136135A	136135A	136136A	136135A	136135A
16	Ejector Pkg. "SW" Models	1	SW03E-1626	SW05E-1630	SW07E-1432	SW10E-1334	SW15E-1836	N/A	N/A
‡	Ejector Gasket w/Bolts	1	132404	132404	132404	132404	132404	132404	132404
‡	Nozzle	1	-	-	-	-	-	4C39-16	4C39-16
‡	Venturi	1	-	-	-	-	-	4C55-26	4C55-30

(†) Control assembly required on convertible models only

(*) Standard hardware item

(‡) Not Shown

(††) Impeller with 138138 Seal Ring