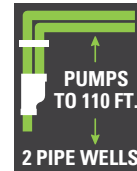


# 1/2 HP, 3/4 HP, 1 HP CAST IRON

## Convertible Jet Pumps



### MODELS JHU05, JHU07, JHU10



### FEATURES AND BENEFITS

- 115/230 dual voltage motor.
- Sturdy, cast iron construction.
- Includes pressure switch and flow control.
- Thermal overload protects against overheating.
- Special priming port for easy priming.
- Carbon/ceramic mechanical shaft seal.
- Continuous duty uni-frame 56 frame motor (NEMA J adaptable).
- Capacitor start motors provide maximum starting torque.
- Easy access drain plug for winterizing.
- Ejector sold separately (see Performance Chart)

JHU05 054757000844  
 JHU07 054757002145  
 JHU10 054757002152

1-1/4" inlet, 3/4" discharge  
 1-1/4" inlet, 3/4" discharge  
 1-1/4" inlet, 1" discharge

# 1/2 HP, 3/4 HP, 1 HP CAST IRON



## Convertible Jet Pumps

### PERFORMANCE

PUMP MODEL NUMBER	AMPS	EJECTOR MODEL NUMBER	DISCH PSI	CAPACITIES IN GPM FROM PUMP TO PUMPING WATER LEVEL IN FEET												DW MINIMUM OPERATING PSI				
				SHALLOW WELL EJECTOR ATTACHED TO PUMP			DEEP WELL EJECTOR IN 4" ID WELL OR LARGER													
				5	15	25	20	30	40	50	60	70	80	90	100		110			
JHU05 1/2 HP	8.6/4.3	SW03E-1626	20	11.3	8.7	5.3												---		
			40	9.5	7.8	5.2														
		DW40E-1828	20	10.7	7.6	4.3	10.6	9.0	7.6											24
			40	8.9	7.1	4.0	3.9	3.0	1.7											
		DW40E-1726	20	8.9	6.2	3.5	10.3	8.9	7.6	6.2										24
			40	8.4	6.1	3.4	4.5	3.5	2.4	1.1										
		DW40E-1622	20	6.5	5.7	4.2		6.0	5.2	4.5	3.7									24
			40	6.0	5.2	3.8		3.3	2.5	2.0	1.3									
JHU07 3/4 HP	13/6.5	SW05E-1630	20	14.5	10.7	6.4													---	
			40	12.5	9.8	6.4														
		DW40E-1828	20	10.7	7.3	4.4	12.3	11.8	9.1	7.5										24
			40	10.8	7.9	4.6	8.0	6.2	5.1	3.4										
		DW40E-1726	20	8.4	6.2	3.5	11.5	10.4	8.9	8.0	6.2									34
			40	8.5	6.4	3.7	7.9	6.7	5.2	4.0	2.8									
		DW40E-1622	20						6.7	6.0	5.3	4.3	3.3	2.5						34 - 42
			40						4.3	3.8	3.3	2.5	1.7	1.0						
JHU10 1 HP	14/7	SW07E-1432	20	19.5	15.2	9.5													---	
			40	18.0	14.2	8.8														
		DW40E-1828	20	10.7	7.8	4.2	16.1	14.6	11.1	11.0	8.9	7.4								38 - 45
			40	10.4	7.5	3.9	12.4	10.6	7.9	7.3	5.7	4.6								
		DW40E-1726	20	8.6	6.3	3.5	11.3	11.3	11.0	10.5	9.0	7.5	4.8	4.0						37 - 43
			40	8.1	6.0	3.2	11.0	10.8	9.3	7.7	6.4	4.8	3.0	2.1						
		DW40E-1520	20										5.0	4.8	4.3	3.7				39 - 45
			40										3.7	3.3	3.0	2.7				

NOTE: See installation instructions for setting flow control for maximum pressures.

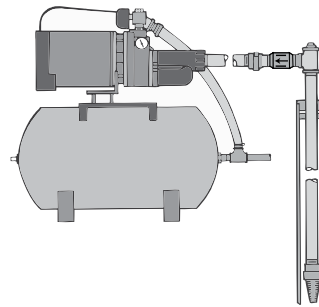


**Shallow Well "SW" Ejector**  
For shallow well installations only. (Water levels 25 feet or less)  
Includes: Ejector, gasket and bolts for easy installation.

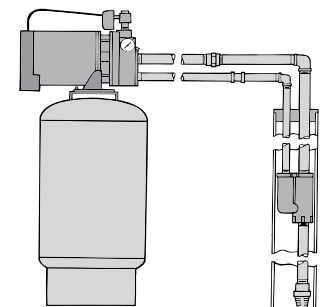


**2-Way Convertible "DW" Ejector**  
For shallow or deep well installations. Includes: Ejector, gasket, and bolts for shallow well or deep well applications. (Requires 4" well casing for deep well installations).

### TYPICAL EJECTOR APPLICATIONS



Shallow well installation with "SW" shallow well ejector.



4" minimum diameter well. Deep well installation with convertible "DW" ejector.